

IP-COM[®]



Wireless N300 High Power Access Point

W45AP

What It Does

W45AP is a 300Mbps indoor ceiling access point for hotels, resorts, hospitals, office buildings, universities, or other multi-building campus environments that need to extend and expand an existing wireless network. Adopt Independent power amplifier to enhance wireless signal for client devices, such as wireless laptops, tablets and smartphones. With the aesthetic ceiling Design, W45AP can be deployed easily on ceiling or in crawlspaces. Also, W45AP can be deployed in areas where power outlets are scarce or not available with PoE 802.3at compliant.



Main Features



Ceiling Design

With the aesthetic ceiling Design, W45AP can be deployed easily on ceiling or wall.



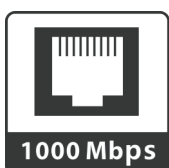
High Power Design

Adopt independent power amplifier to provide 400mw RF transmit power. Thus, the wireless signal is stronger and the coverage is optimized.



Wireless N300 Speed

W45AP transfer rates of up to 300 Mbps on the 2.4 frequency bands for faster file transfers and smoother video streaming.



Gigabit Ethernet Port

Up to 10X faster data transfer than traditional Fast Ethernet. Ideal for streaming videos, VOIP, music, and multimedia applications



Power Over Ethernet(802.3at)

The port on the back panel is PoE 802.3at compliant , which allows both power and data to be carried over a single Ethernet cable to W45AP. So the W45AP can be deployed in areas where power outlets are scarce or not available.



Industry Wireless Security

W45AP offers multi-level wireless encryption options to prevent unauthorized access and protect your important data.

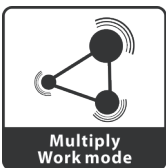
1.64/128bit WEP, WPA-PSK, WPA2-PSK, WPA&WPA2-PSK, WPA, WPA2

2. Wireless Access Control based on the mac address of wireless adapter



SSID to VLAN tagging

W45AP can be configured to broadcast up to 4 SSID. Each SSID can be tagged to a specified network VLAN for different user access based on established access rights.



Multiple Operation mode

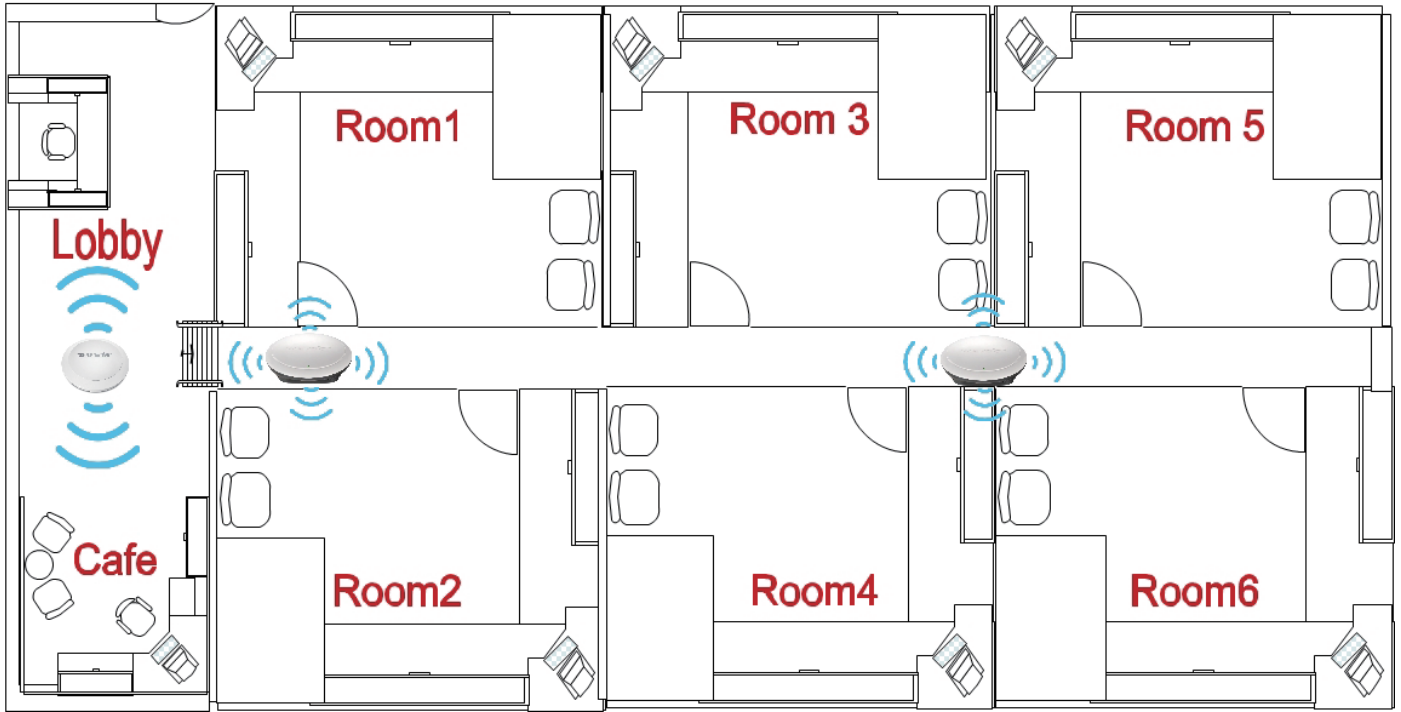
W45AP can be configured to work as wireless Access Point, WDS Repeater, Universal Repeater mode and help you expand existing network.



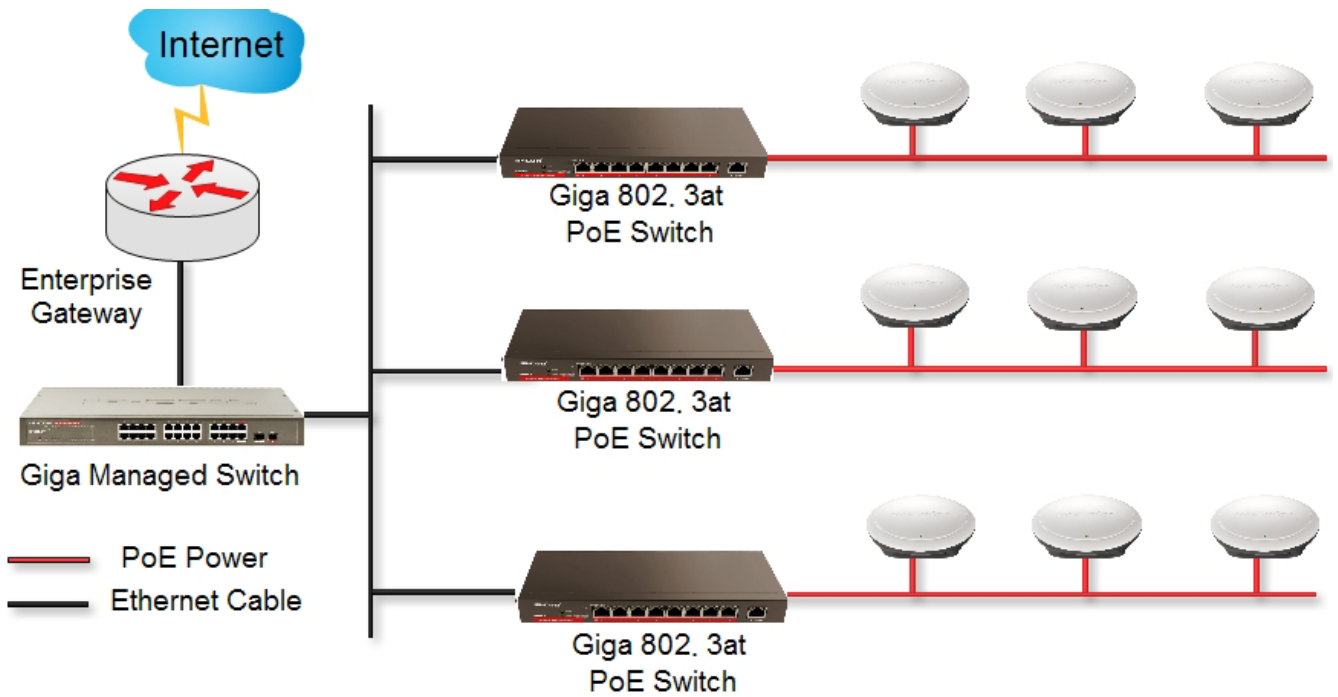
Centralized Management

W45AP can be managed by the hardware Access Controller, the administrator can monitor, manage and control the Aps more easily.

Deployment Scenarios



Solution Topology



Specification

Hardware Features	
Dimensions	144.2*144.2*40.12mm
AP Type	Fat AP
Interfaces	1*GE LAN
Antennas	2*2dbi printed antennas
Button	1*Reset
Power Method	802.3at PoE/DC 12V=1A
Maximum Power Consumption	11W
Maximum Transmit Power	400mw(26dbm)
LED indicator	SYS
Software Features	
Compliant Standards	IEEE 802.11n/g/b
Frequency Range	2.4GHz-2.483GHz
Maximum wireless speed	300Mbps
Wireless Basic Settings	4 SSID Enable/Disable Wireless Radio Wireless Client isolation Wireless Access Control Wireless Client list SSID-To-VLAN tagging Adjust transmit power by dBm
Wireless Security Settings	64/128 WEP WPA-PSK WPA2-PSK WPA& WPA2-PSK WPA WPA2
Working mode	AP,WDS,Universal Repeater
Maximum Concurrent Clients	20

Receiver sensitivity	b mode : 1M -89dBm@8% 11M -87dBm@8% PER ; g mode : 54M -74dBm@8% PER ; n mode : 72.2M -72dBm@8% PER ; 150M -70dBm@8% PER
Modulation	MIMO-OFDM/OFDM/DSSS
LAN Settings	Static IP Dynamic IP
DHCP Server	DHCP Server Clients list
VPN Pass-Through	PPTP L2TP
Management Tool	SNMP(v1& v2c) Reboot System Log Firmware update Time& Date Setting Backup/Restore Configuration Username Management Diagnostic Tool(ping)
Others	
Package Contents	Wireless N300 High Power Access Point W45AP 1*Mounting Bracket 1*Quick Installation Guide 1*Ethernet cable 1*Power Adapter 4*Screws 4*Plastic Bolt
Operating Temperature	-10°C~45°C
Storage Temperature	-30°C~70°C
Operating Humidity	10%~90% non-condensing
Storage Humidity	10%~90% non-condensing
Default Settings	IP Address: 192.168.0.254 Login Username:admin Login Password:admin
Certifications	FCC/CE/Rohs

IP-COM[®]

Manufacturer: Shenzhen Ni-Ktone Technologies Co., Ltd.

Tel: 40066-50066

Address: A-16J, Modern Window Building, Huaqiang Road North, Futian District, Shenzhen, P.R.C. China, 518000.

URL: <http://www.ip-com.com.cn>

E-mail: ip-com@ip-com.com.cn

IP-COM is the registered trade mark of Shenzhen IP-COM Network Technology Co.,Ltd. All the photos and product names mentioned herein are the trade marks or registered trade marks of their respective holders. © 2008 IP-COM All Rights Reserved.

MADE IN CHINA

