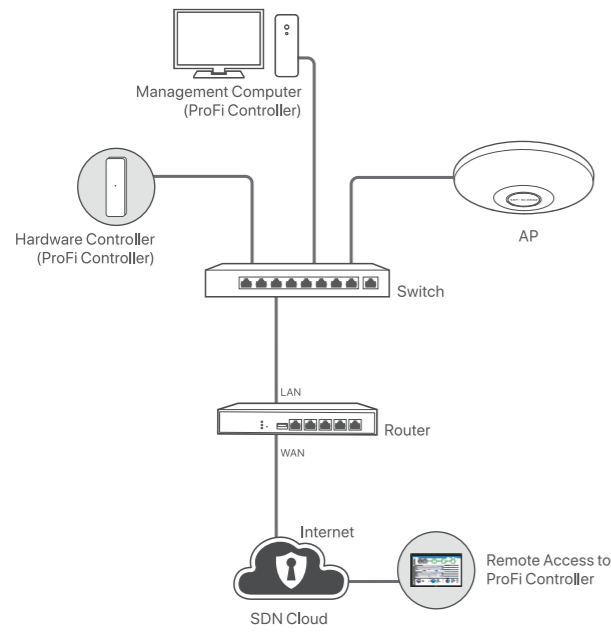


Quick Setup

You can configure the AP through its web UI or the ProFi Controller.

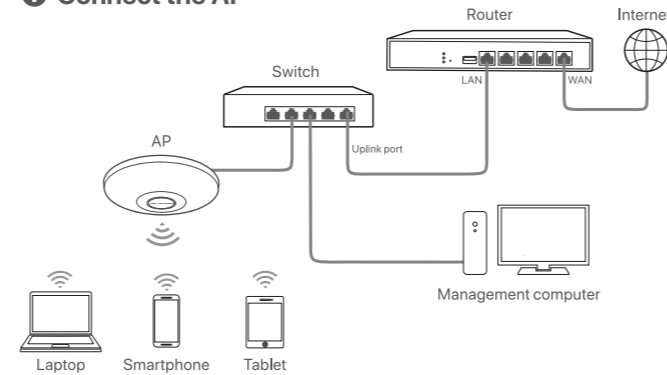
Through the ProFi Controller



Through the Web UI of the AP

If you do not have a controller in your network, you can configure the AP on its web UI.

1 Connect the AP



2 Configure the AP

1. Verify that the management computer has connected to the AP.
2. Start a web browser on the management computer and enter the IP address of the AP in the address bar to log in to its web UI.



Tips:

If there is a DHCP server in the network, you can check the IP address of the AP at the DHCP server. If there is no DHCP server in the network, use the default IP address (192.168.0.254) to log in.

3. Choose **Quick Setup**, and set an SSID and WiFi password for the AP.

Get support and services

Scan the **Product Documents** QR code to get related documents for quick installation.

* Specific product model can be found on the label on the device.



Product Documents



CE Mark Warning

This is a Class B product. In a domestic environment, this product may cause radio interference, in which case the user may be required to take adequate measures.

Operations in the 5.15-5.25GHz band are restricted to indoor use only.

This equipment should be installed and operated with a minimum distance 20cm between the device and your body.

The mains plug is used as disconnect device, the disconnect device shall remain readily operable.

NOTE: (1) The manufacturer is not responsible for any radio or TV interference caused by unauthorized modifications to this equipment.

(2) To avoid unnecessary radiation interference, it is recommended to use a shielded RJ45 cable.

Declaration of Conformity

Hereby, SHENZHEN IP-COM Networks Co., Ltd. declares that the radio equipment type iUAP-AC-LR/iUAP-AC-LITE/Pro-6-LR/Pro-6-Lite is in compliance with Directive 2014/53/EU.

The full text of the EU declaration of conformity is available at the following internet address: <http://ip-com.com.cn/en/ce.html>

Operating Frequency:

2.4 GHz: EU/2400-2483.5MHz (CH1-CH13)

5 GHz: EU/5150-5250MHz (CH36-CH48)

EIRP Power (Max.):

2.4 GHz: 19.67dBm

5 GHz: 22.21dBm

Software Version: V1.0.0.3



Caution:

Pro-6-LR/Pro-6-Lite:

Adapter Model: BN017-A38048E, BN017-A38048B

Manufacture: SHENZHEN HEWEISHUN NETWORK TECHNOLOGY CO., LTD.

Input: 100-240V AC, 50/60Hz 1.0A

Output: 48V DC, 0.8A

⎓ : DC Voltage

iUAP-AC-LR/iUAP-AC-LITE:

Adapter Model: BN060-P12024

Manufacture: SHENZHEN HEWEISHUN NETWORK TECHNOLOGY CO., LTD.

Input: 100 - 240V AC, 50/60Hz 0.3A

Output: 24V DC, 0.5A

⎓ : DC Voltage



RECYCLING

This product bears the selective sorting symbol for Waste electrical and electronic equipment (WEEE). This means that this product must be handled pursuant to European directive 2012/19/EU in order to be recycled or dismantled to minimize its impact on the environment.

User has the choice to give his product to a competent recycling organization or to the retailer when he buys a new electrical or electronic equipment.

For EU/EFTA, this product can be used in the following countries:

	BE	BG	CZ	DK	DE	EE	IE	EL	ES	FR	HR	IT	CY	LV
	LT	LU	HU	MT	NL	AT	PL	PT	RO	SI	SK	FI	SE	UK



FCC Statement

This equipment has been tested and found to comply with the limits for a Class B digital device, pursuant to Part 15 of the FCC Rules. These limits are designed to provide reasonable protection against harmful interference in a residential installation. This equipment generates, uses and can radiate radio frequency energy and, if not installed and used in accordance with the instructions, may cause harmful interference to radio communications. However, there is no guarantee that interference will not occur in a particular installation. If this equipment does cause harmful interference to radio or television reception, which can be determined by turning the equipment off and on, the user is encouraged to try to correct the interference by one or more of the following measures:

- Reorient or relocate the receiving antenna.
- Increase the separation between the equipment and receiver.
- Connect the equipment into an outlet on a circuit different from that to which the receiver is connected.
- Consult the dealer or an experienced radio/TV technician for help.

The device is for indoor usage only.

Operation is subject to the following two conditions: (1) this device may not cause harmful interference, and (2) this device must accept any interference received, including interference that may cause undesired operation.

Radiation Exposure Statement

This device complies with FCC radiation exposure limits set forth for an uncontrolled environment and it also complies with Part 15 of the FCC RF Rules.

This equipment should be installed and operated with minimum distance 20cm between the device and your body.

Caution:

Any changes or modifications not expressly approved by the party responsible for compliance could void the user's authority to operate this equipment.

This transmitter must not be co-located or operating in conjunction with any other antenna or transmitter.

Operating frequency: 2412-2462MHz, 5150-5250MHz

NOTE: (1) The manufacturer is not responsible for any radio or TV interference caused by unauthorized modifications to this equipment. (2) To avoid unnecessary radiation interference, it is recommended to use a shielded RJ45 cable.



Operating Temperature: -10°C - 45°C

Operating Humidity: (10% - 90%) RH, non-condensing

Address: Room 101, Unit A, First Floor, Tower E3, NO.1001, Zhongshanyuan Road, Nanshan District, Shenzhen, China. 518052

Tel: (86755) 2765 3089

Email: info@ip-com.com.cn

Website: www.ip-com.com.cn

IP-COM

User Manual

ProFi Ceiling AP Series

iUAP-AC-LR / iUAP-AC-LITE / Pro-6-LR / Pro-6-Lite
(Unless otherwise specified, Pro-6-LR is used for illustration)

©2021 IP-COM Networks Co., Ltd. All rights reserved.

This documentation (including pictures, images, and product specifications, etc.) is for reference only. To improve internal design, operational function, and/or reliability, IP-COM reserves the right to make changes to the products described in this document without obligation to notify any person or organization of such revisions or changes.